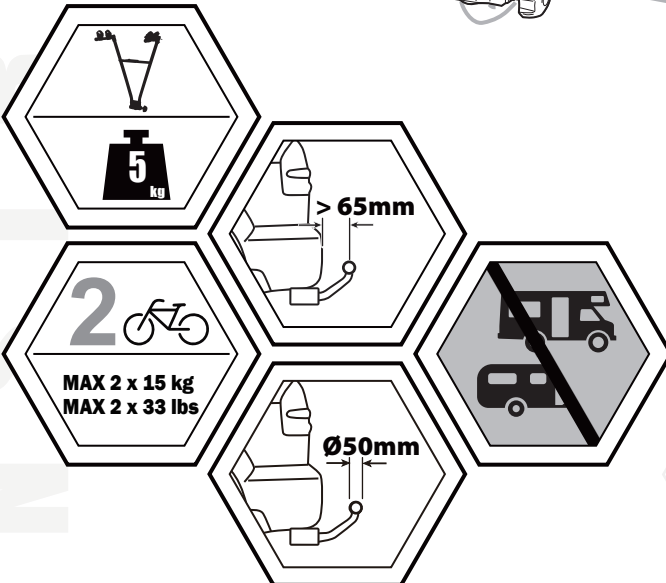
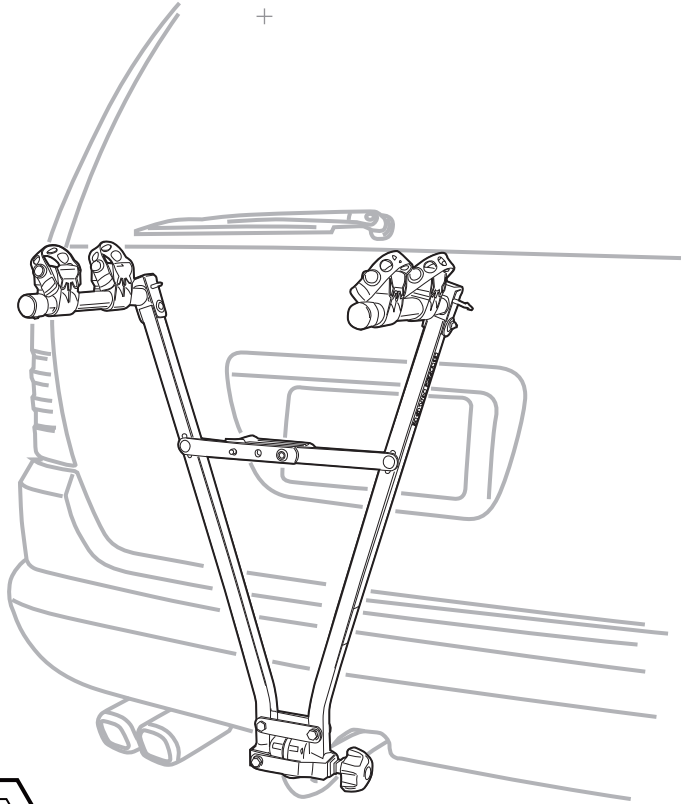
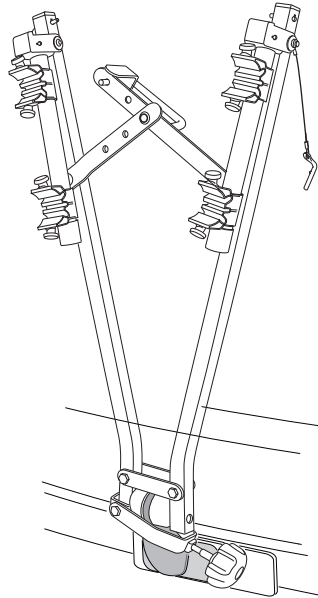
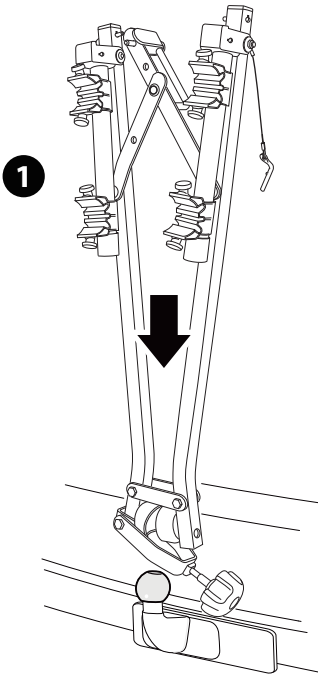
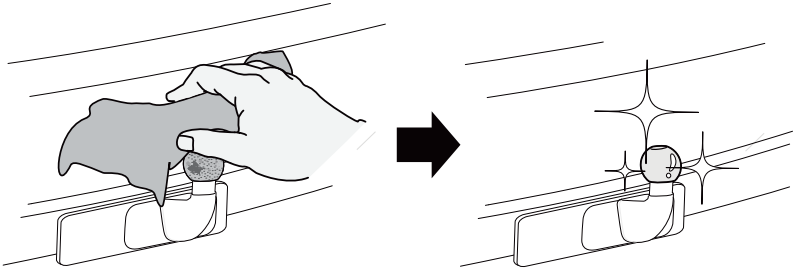
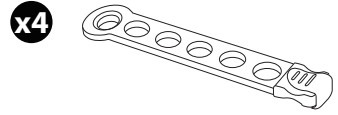
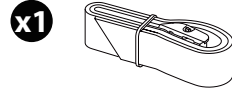
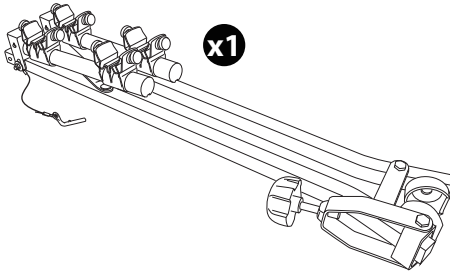


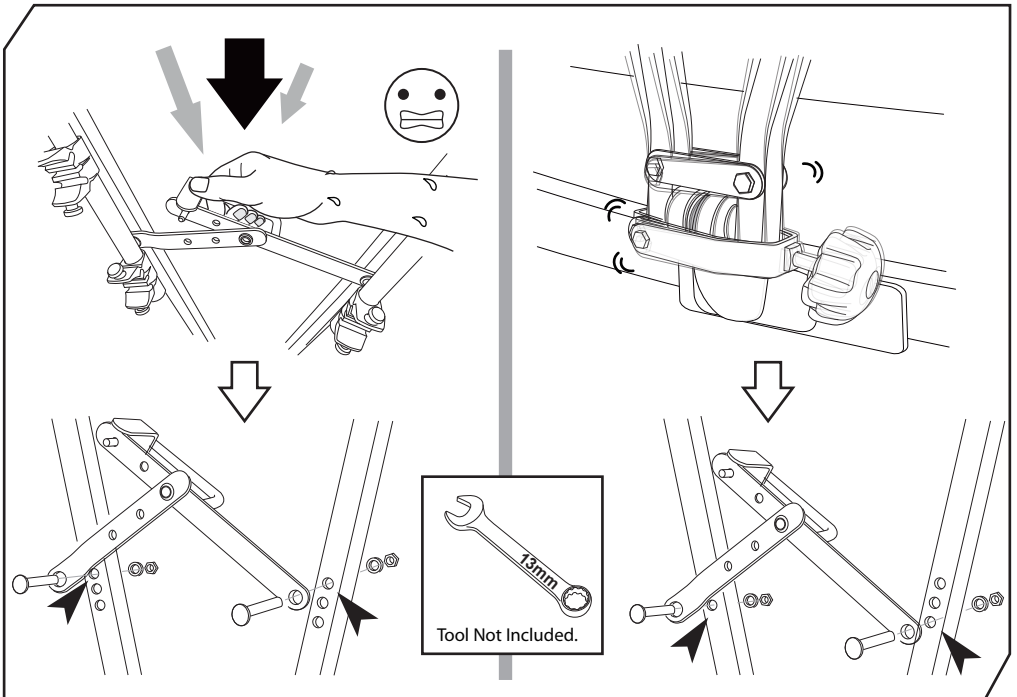
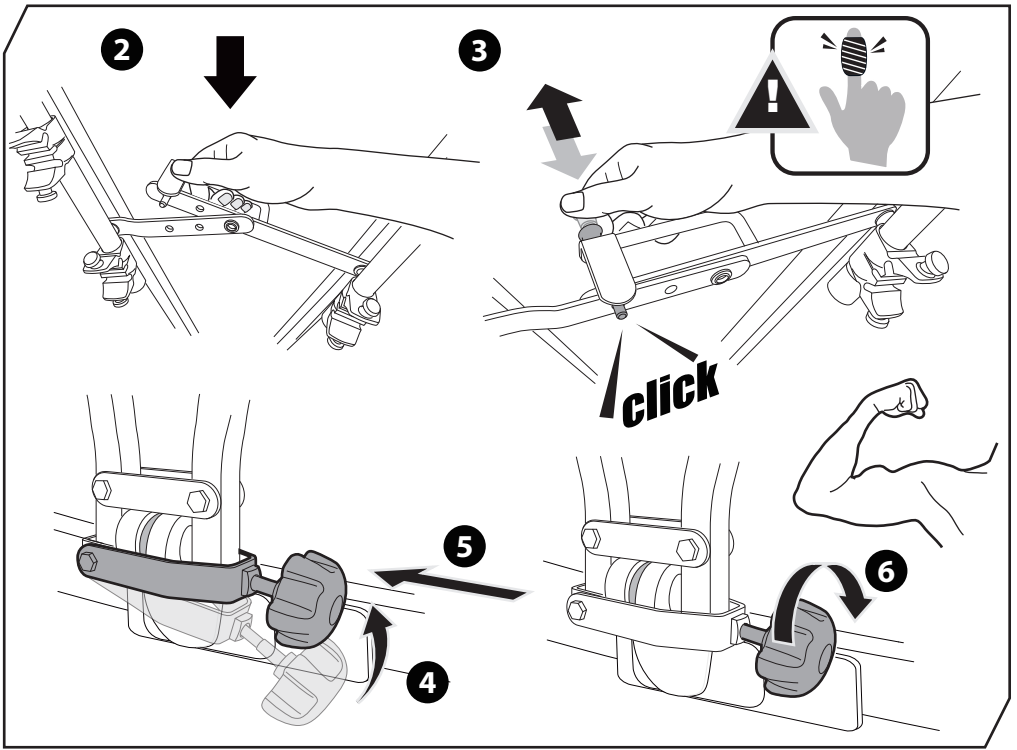
BUZZ RACK

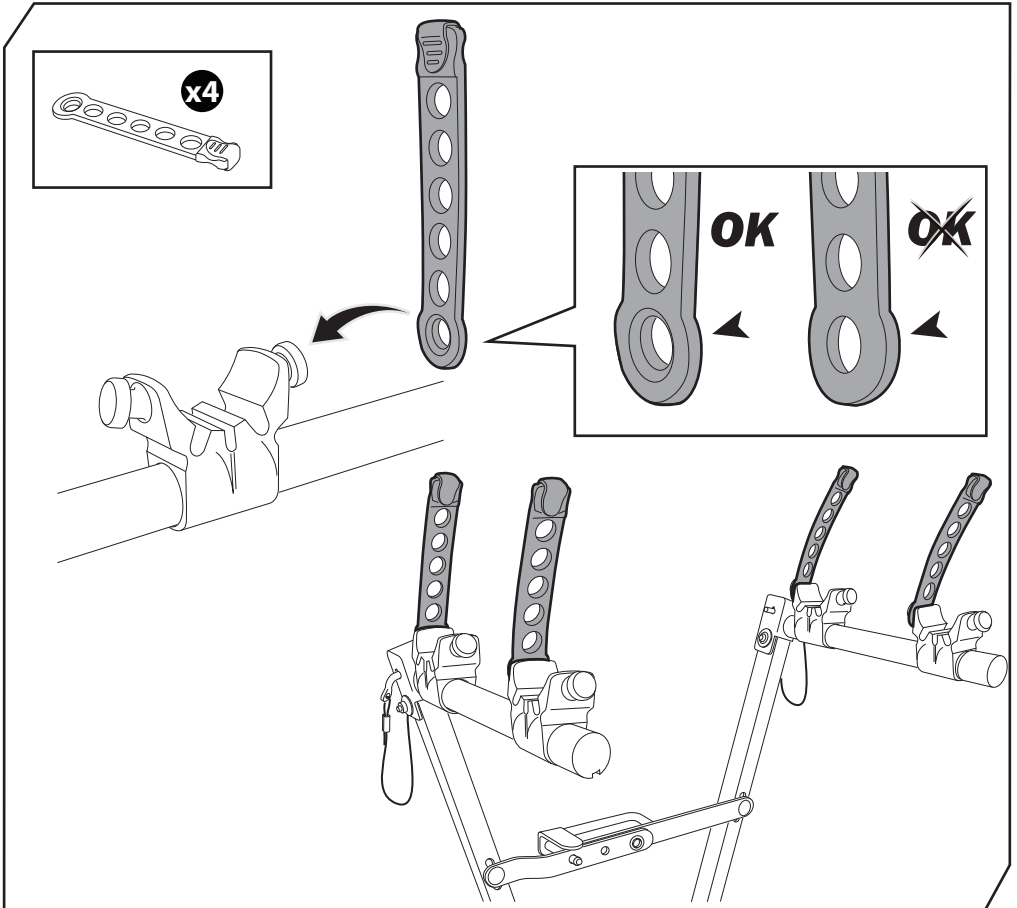
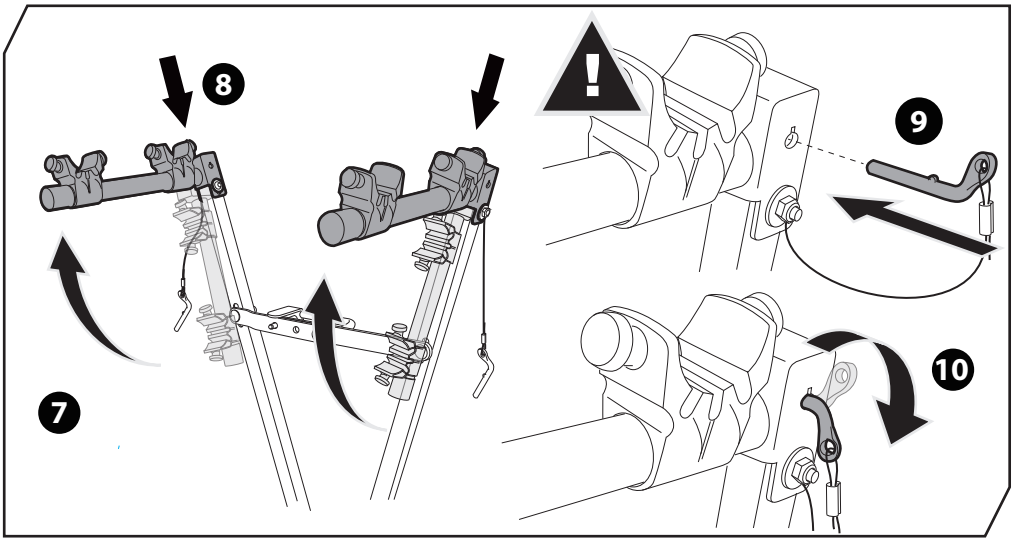


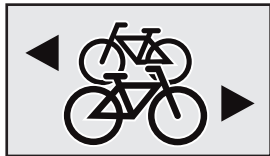
V-BUZZ

PART LIST

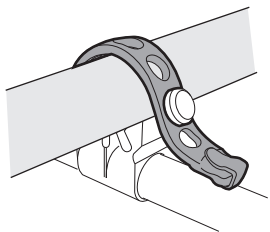




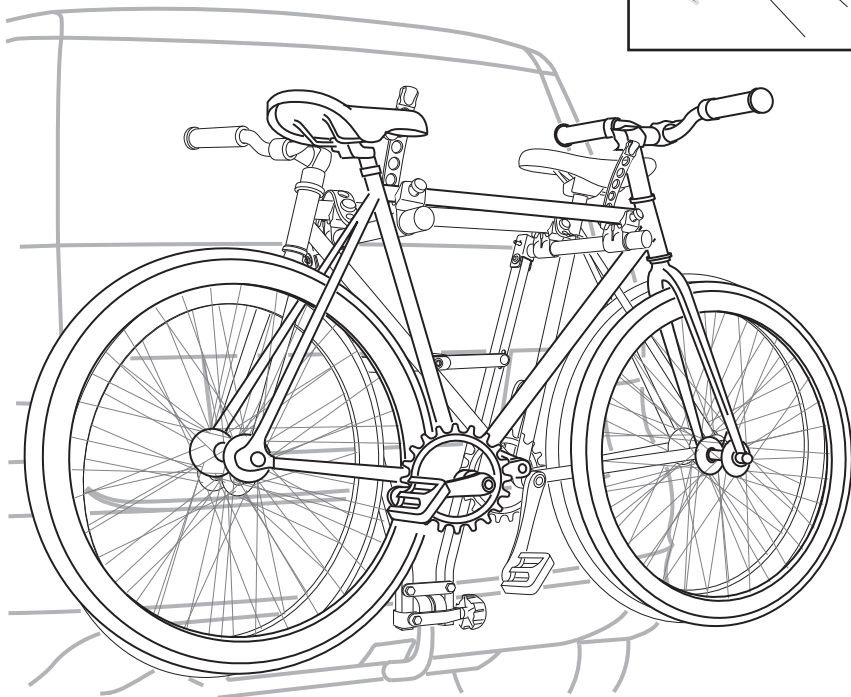
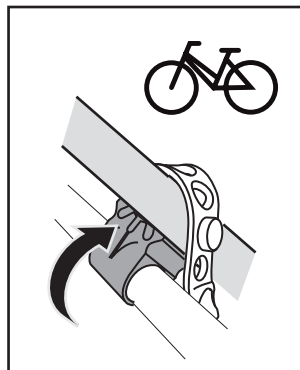
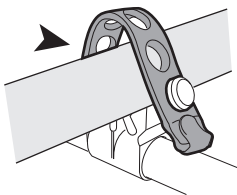


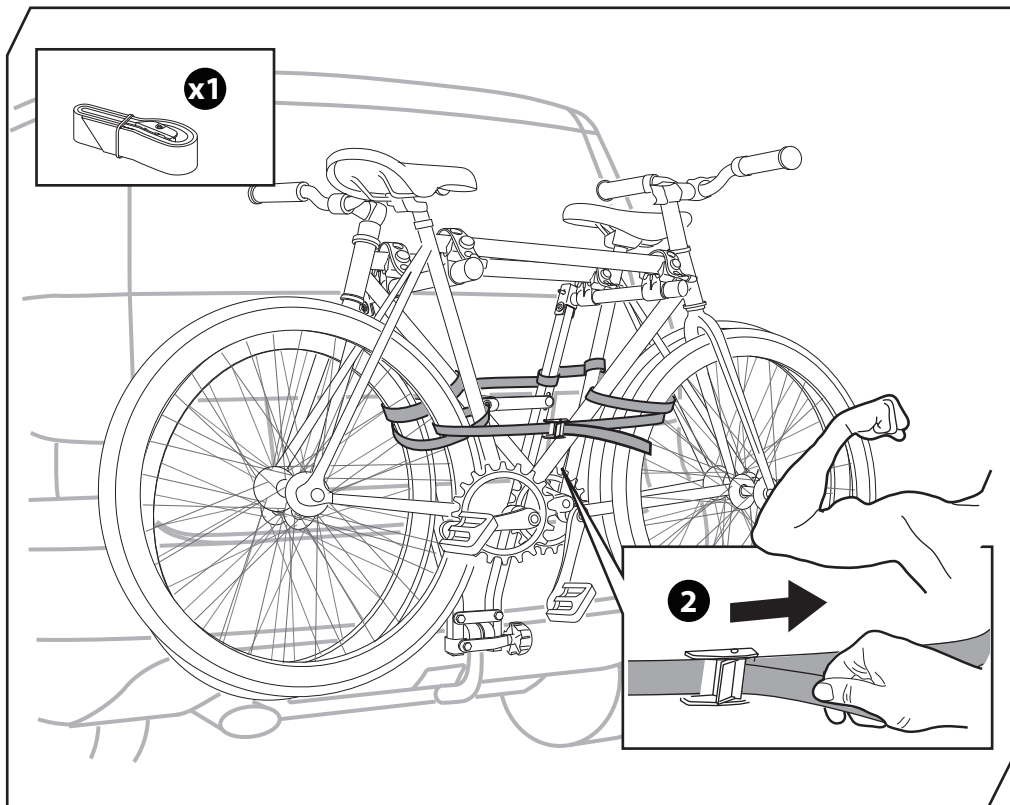


1 x4



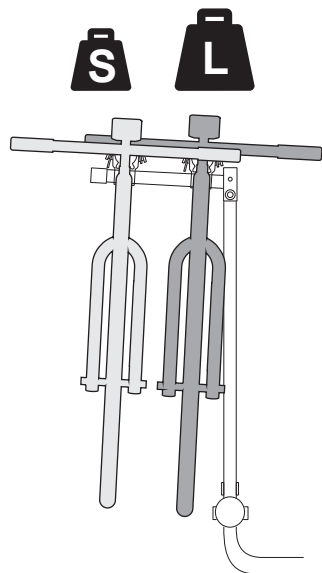
~~OK~~

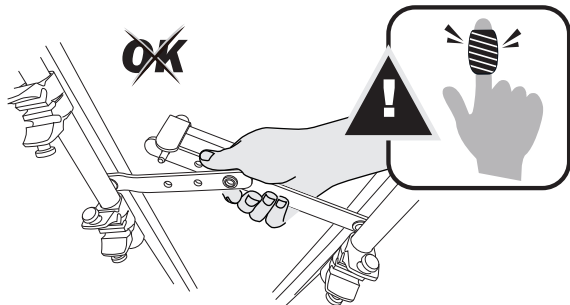
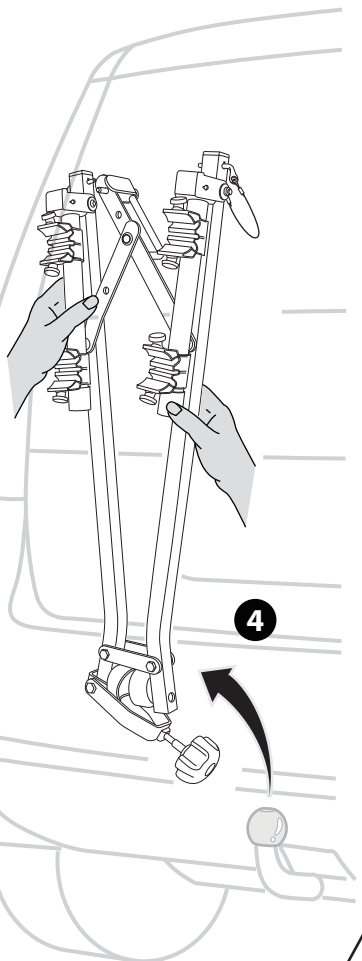
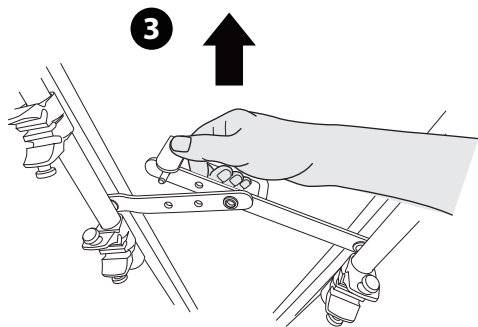
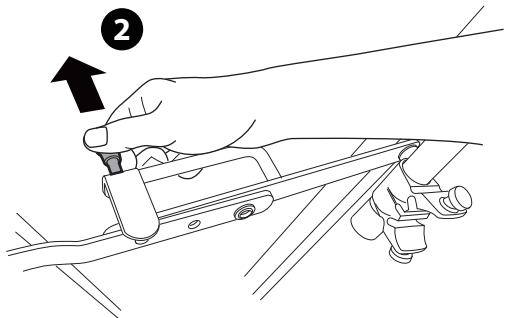
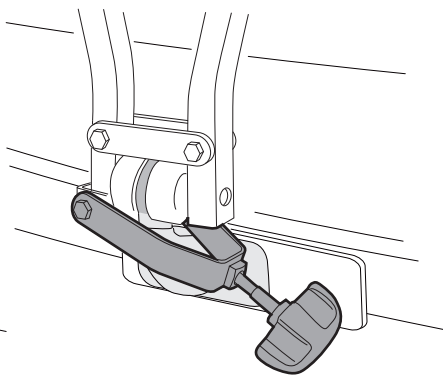
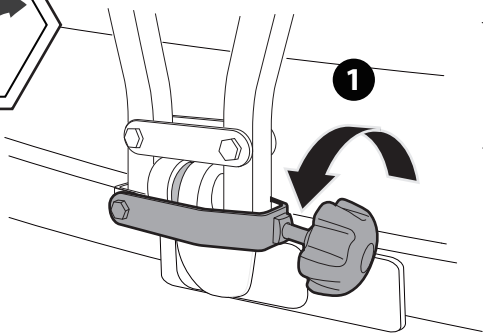




**MAX
30KG**

! **!**
**2 x 15kg = MAX
30 kg** **!** **!**







+

+

+

+

+

+

BUZZ RACK

www.buzzrack.com