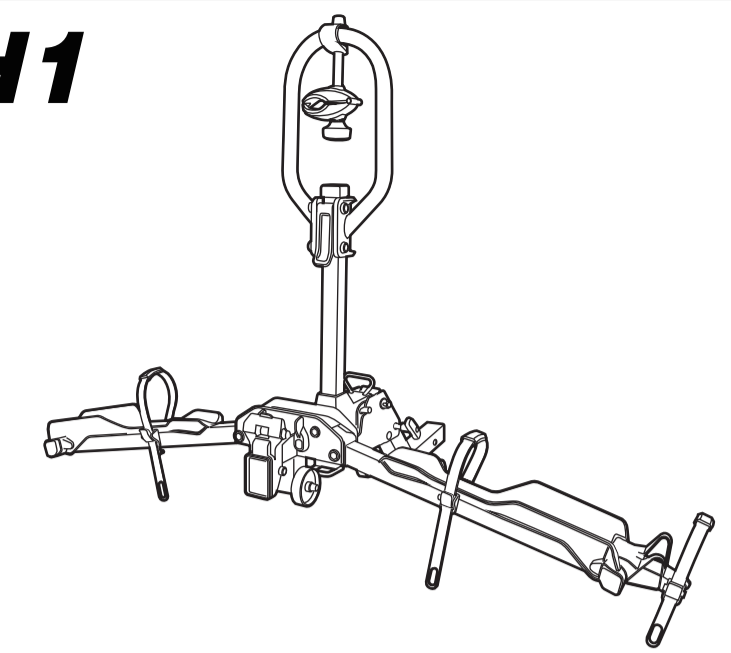


# BUZZ RACK

## E-SCORPION H1



2" / Min 1.5" / E-BIKE / 14.8 kg / 32.6lbs / MAX 1x30kg / MAX 1x66lbs

Made in Taiwan

**OK**

**MAX 30KG (66lbs)**

**E-Bike**

1 x 30kg = MAX 30 kg (66lbs)

**Max 4"**

Wheel base

10" Tire diameter		26" Tire diameter		29" Tire diameter	
MIN	MAX	MIN	MAX	MIN	MAX
81cm(32")	116cm(46")	78cm(31")	127cm(50")	84cm(33")	129cm(51")

### ACCESSORIES (NOT INCLUDED)

**E-RAMP Alu**  
# 47-0116-002-10

**E-RAMP steel**  
# 47-0116-003-10

**LICENCE PLATE HOLDER**  
# 47-0100-039-10

**STEP 2.**

**STEP 3.**

**STEP 4.**

- x1
1/2"-13UNC
  - x1
1/2"
  - x1
Ø13.5xØ27
  - x1
  - x1

**Tool**

**1**

**2**

**option 1** **option 2**

**1**

**2**

**3**

MIN Ø25 mm  
MAX Ø50 mm

**1**

**2**

**3**

**4**

**4**

**5**

**6**

**1**

**2**

**3**

**4**

**1**

**2**

**3**

**4**

**BUZZRACK**  
www.buzzrack.com  
Contact us at service@buzzrack.com if you have any questions.