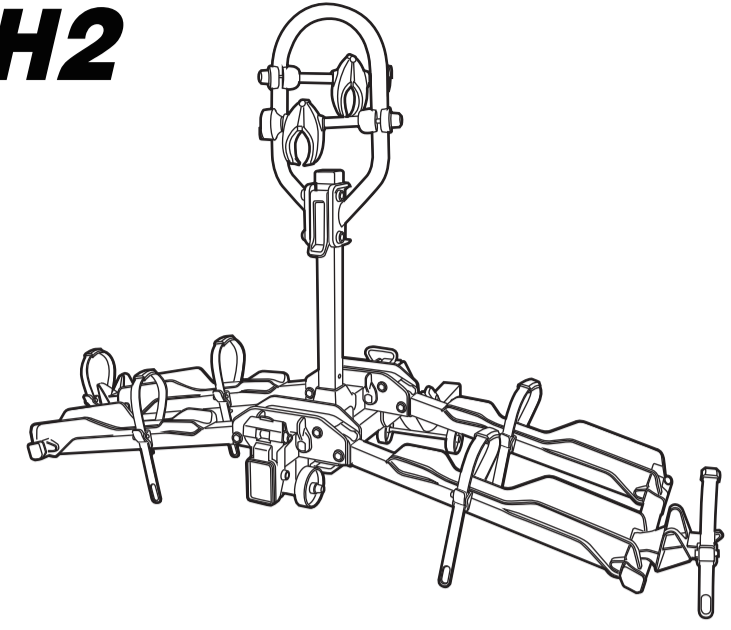


BUZZ RACK

E-SCORPION H2



2" / Min 1.5" / E-BIKE / 19.5 kg / 42.9lbs / 2 / MAX 2x30kg / MAX 2x66lbs

Made in Taiwan

OK

MAX 60KG (132lbs)

E-Bike

2 x 30kg = MAX 60 kg (66lbs) / 132lbs

Max 4"

Wheel base

| 10" Tire diameter | | 26" Tire diameter | | 29" Tire diameter | |
|-------------------|------------|-------------------|------------|-------------------|------------|
| MIN | MAX | MIN | MAX | MIN | MAX |
| 81cm(32") | 116cm(46") | 78cm(31") | 127cm(50") | 84cm(33") | 129cm(51") |

ACCESSORIES (NOT INCLUDED)

E-RAMP Alu
47-0116-002-10

E-RAMP steel
47-0116-003-10

LICENCE PLATE HOLDER
47-0100-039-10

STEP 1.

STEP 2.

STEP 3.

STEP 5.

STEP 4.

Tool

1

Assembly of the main frame and adjustment components. Includes diagrams showing correct and incorrect ways to tighten bolts and use the adjustment tool.

option 1 option 2

2

Attaching the rack to the bicycle frame. Includes diagrams for mounting on the seat post and front fork, with a warning for carbon fiber frames.

1 x2

2 x4

2 x2

CARBON

MIN Ø25 mm
MAX Ø50 mm

3

Final assembly and locking mechanism. Includes diagrams for attaching the rear wheel and locking the rack.

x2

4

Loading the bicycle onto the rack. Includes diagrams showing the correct way to lift the bike and secure it to the rack.

5

Adjusting the rack height and securing the front wheel. Includes a diagram showing the 'click' sound when the front wheel is locked.

click

6

Locking the rack to the vehicle. Includes diagrams for locking the rack to the car's bumper and the main frame.

Final step: Transporting the rack. Includes a diagram showing the rack being pulled behind a car.

BUZZRACK
www.buzzrack.com
Contact us at service@buzzrack.com if you have any questions.