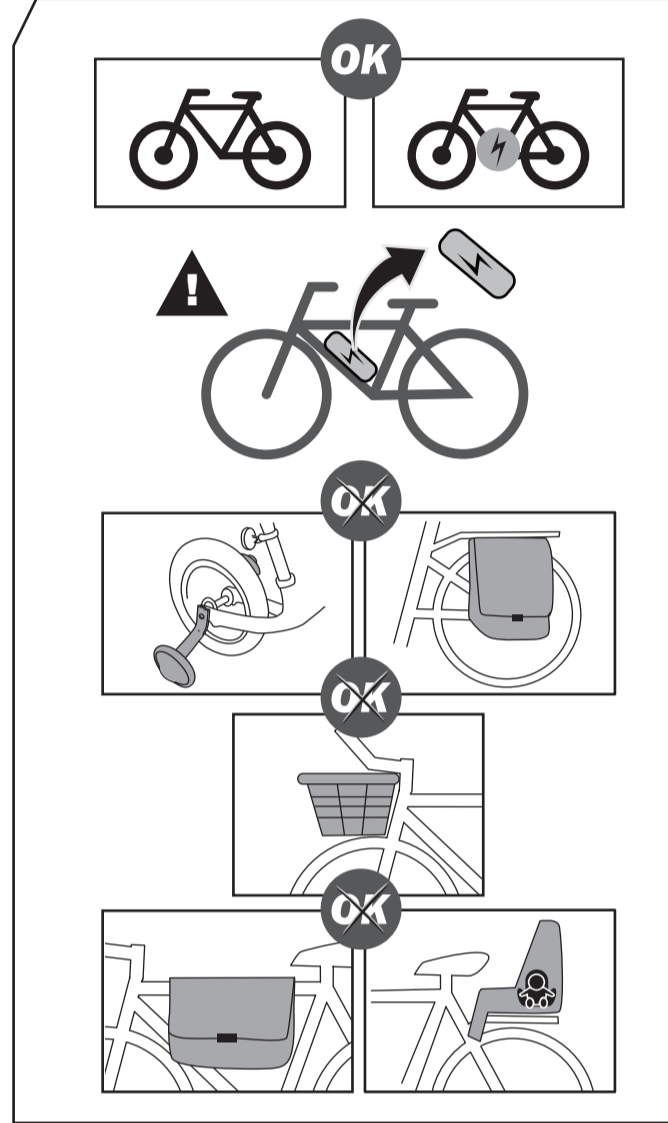


BUZZ RACK

E-HORNET H3



2" / Min 1.5" / E-BIKE / 20.3 kg / 44.7lbs / 3 / MAX 60 kg / MAX 132 lbs



MAX 60KG (132 lbs)

MAX 60 kg (3x20kg)

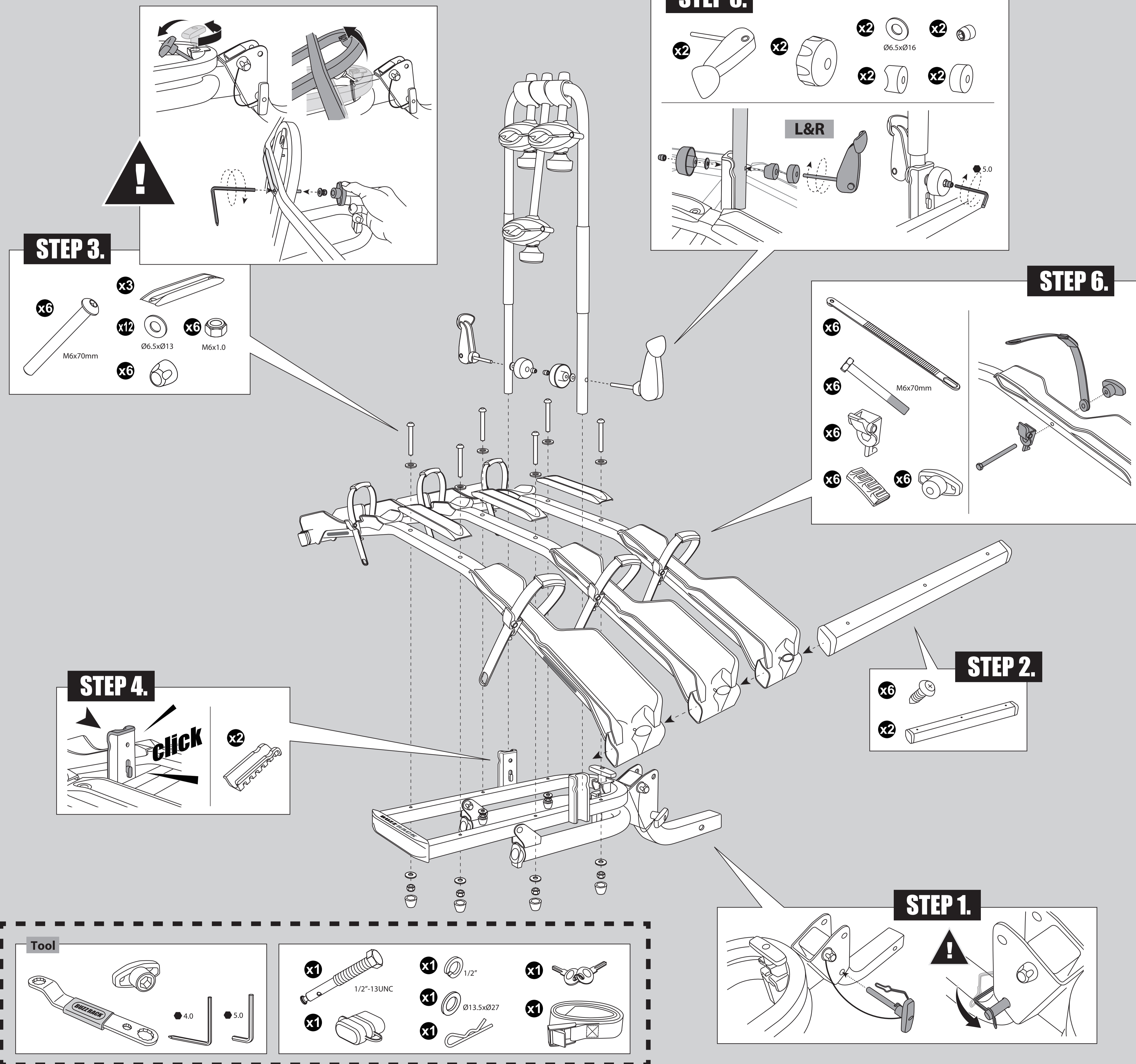
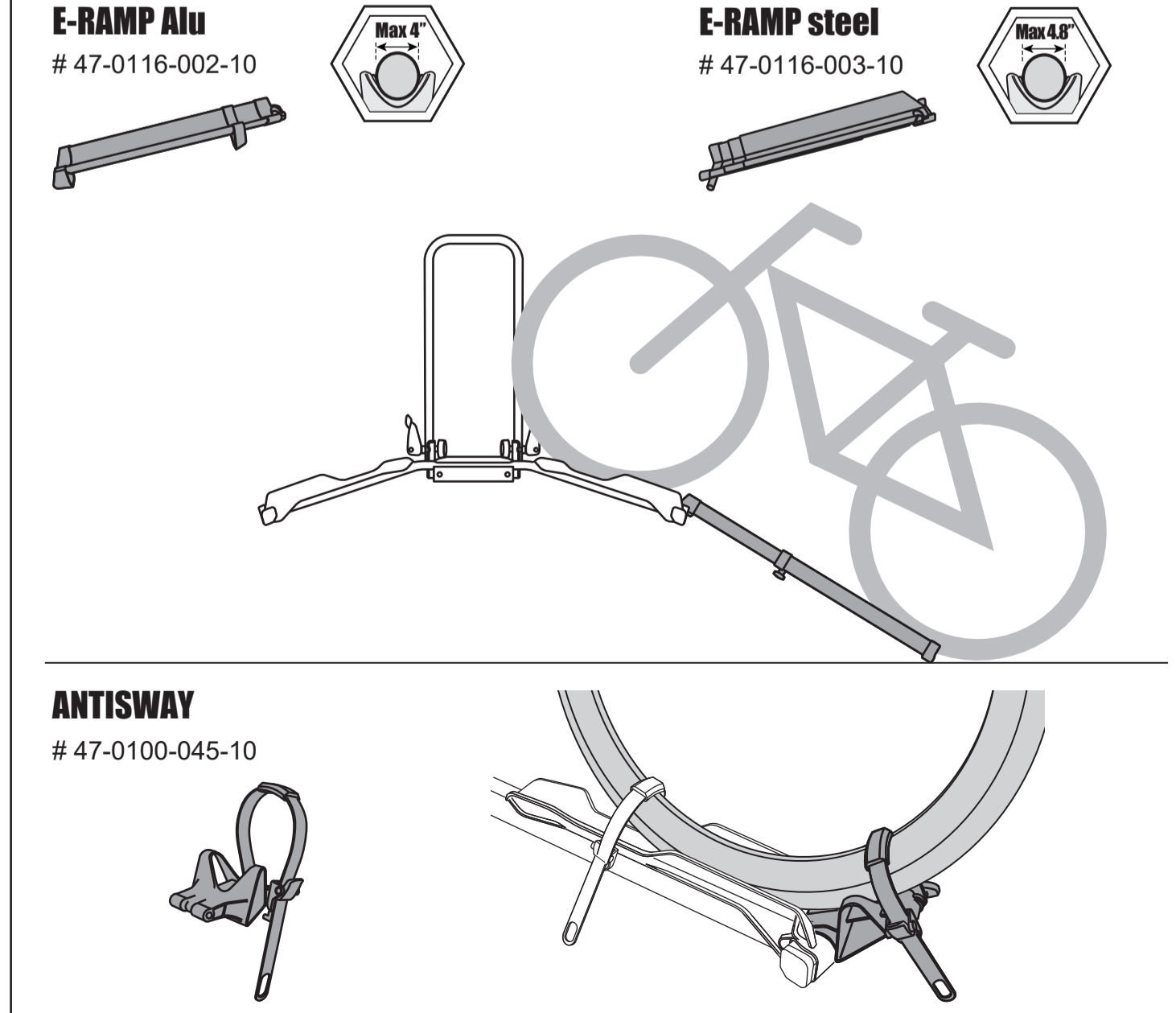
E-Bike MAX 60 kg (2x30kg)

Max 4"

Wheel base

10" Tire diameter		26" Tire diameter		29" Tire diameter	
MIN	MAX	MIN	MAX	MIN	MAX
84cm(23")	96cm(38")	91cm(36")	127cm(50")	94cm(37")	134cm(53")

ACCESSORIES (NOT INCLUDED)



STEP 3.

- x6 M6x70mm
- x3
- x12 Ø6.5xØ13
- x6 M6x1.0
- x6

STEP 5.

- x2
- x2
- x2 Ø6.5xØ16
- x2
- x2

L&R

STEP 6.

- x6
- x6 M6x70mm
- x6
- x6
- x6
- x6

STEP 2.

- x6
- x2

STEP 4.

click

- x2

STEP 1.

Tool

- x1 1/2"-13UNC
- x1 1/2"
- x1 Ø13.5xØ27
- x1
- x1
- x1
- x1

1

option 1 option 2

2

MIN
Ø25 mm
MAX
Ø50 mm

3

CARBON

4

5

6

BUZZRACK

www.buzzrack.com

Contact us at service@buzzrack.com if you have any questions.