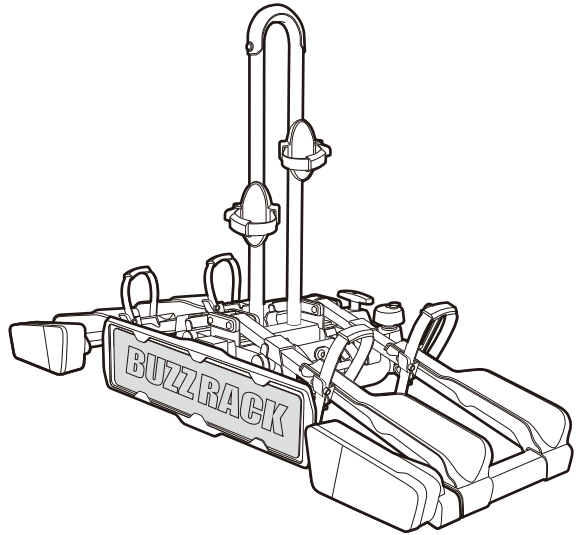


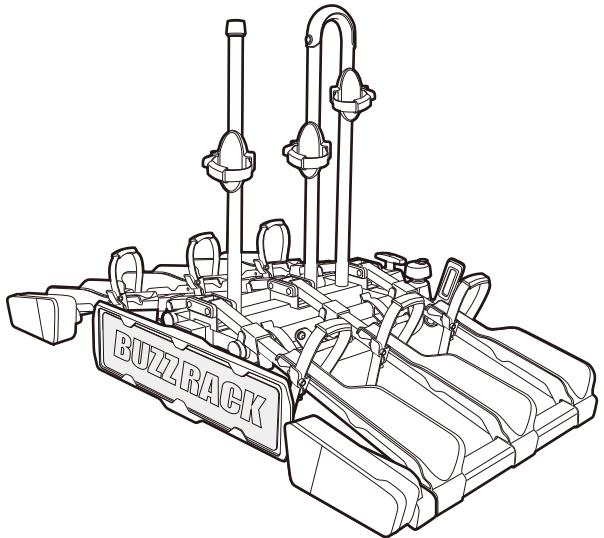
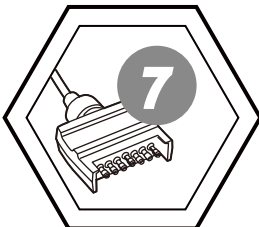
# **BUZZRACK**

---



**EAZZY 2 AU**

---

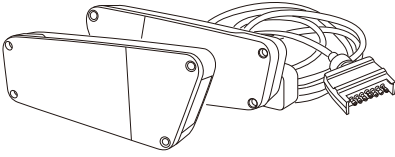


**EAZZY 3 AU**

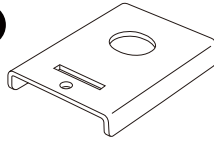
---

# PART LIST

x1



x1



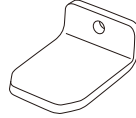
x1



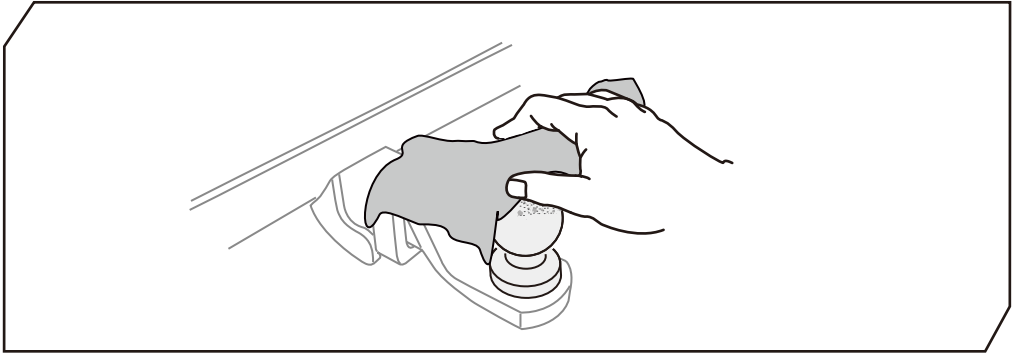
x1



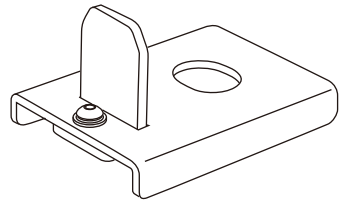
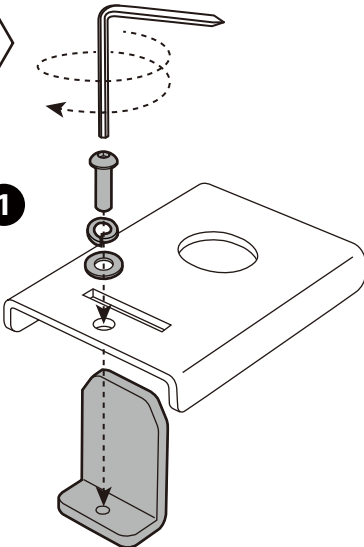
x1

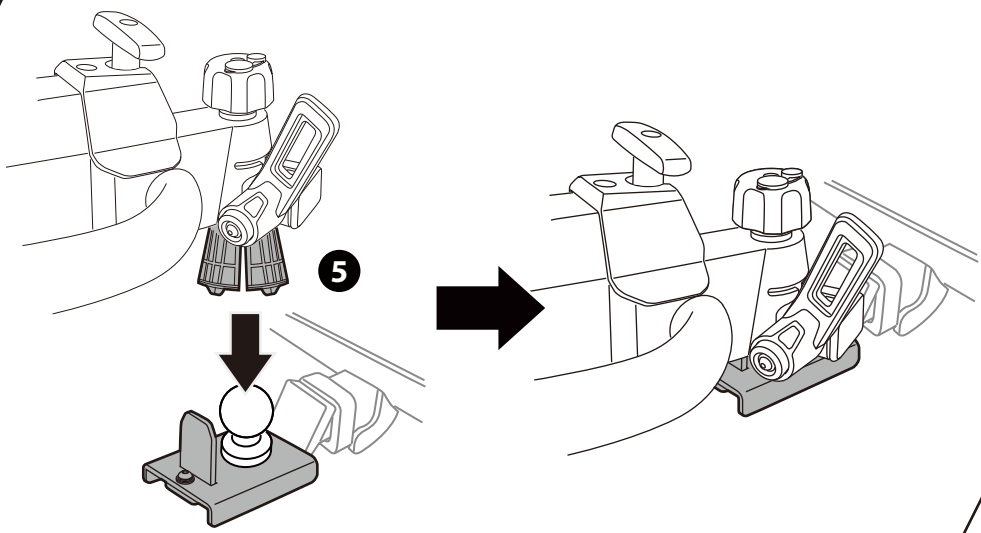
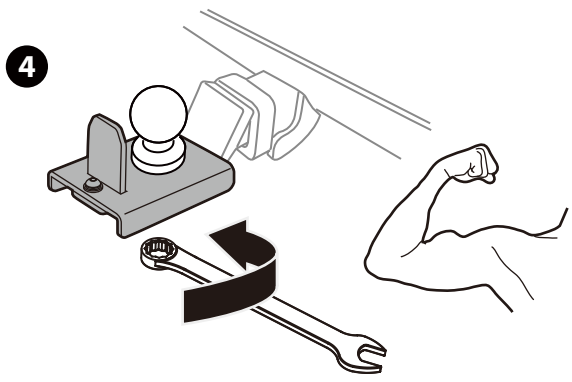
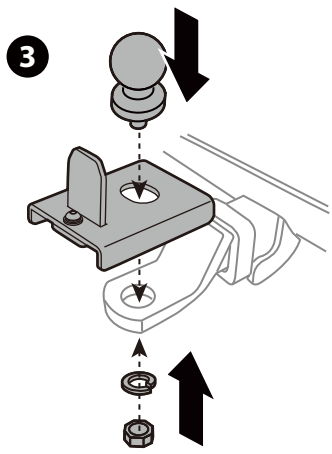
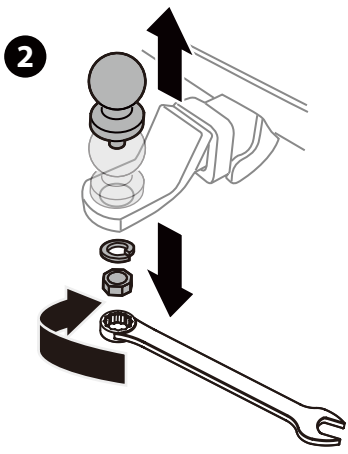


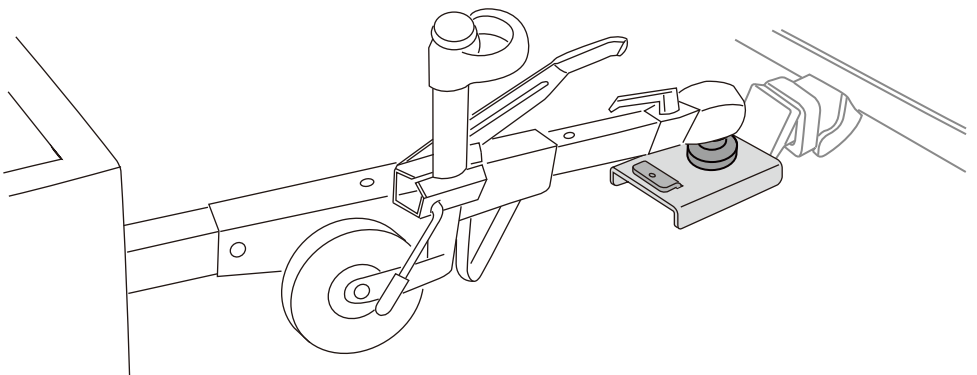
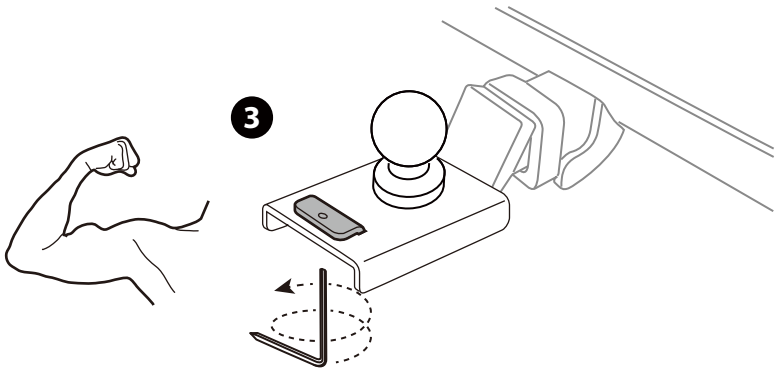
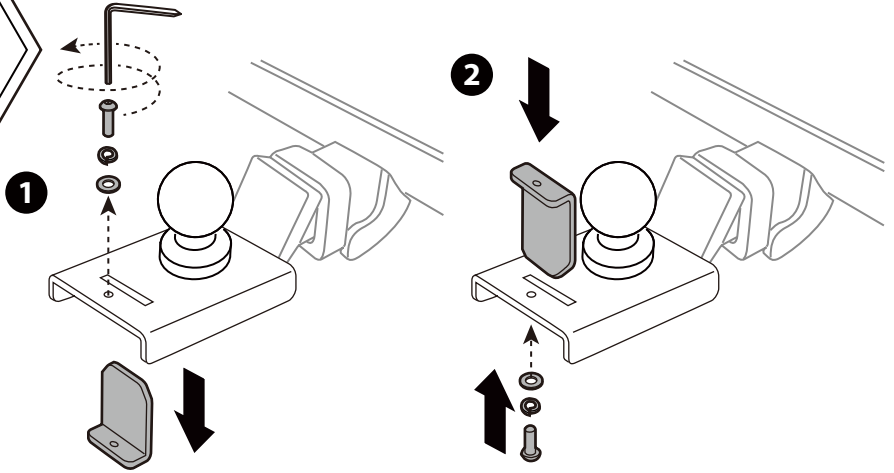
x1



1







**BUZZRACK**

[www.buzzrack.com](http://www.buzzrack.com)

Contact us at [service@buzzrack.com](mailto:service@buzzrack.com) if you have any questions.