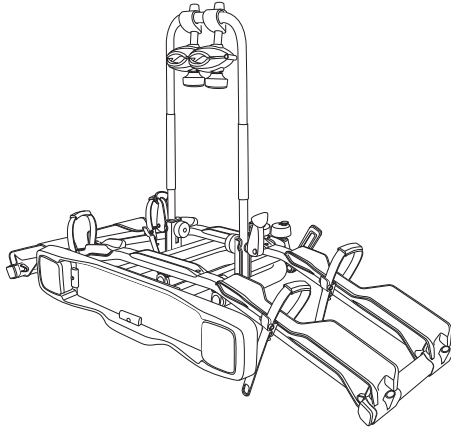
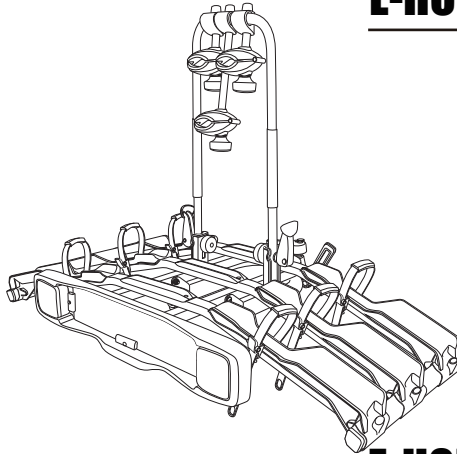


BUZZ RACK



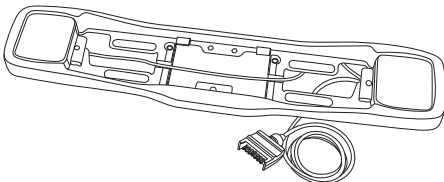
E-HORNET 2 AU



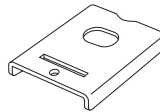
E-HORNET 3 AU

PART LIST

x1



x1



x1



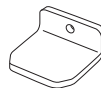
M6x16mm

x1



M6

x1



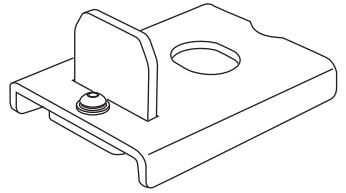
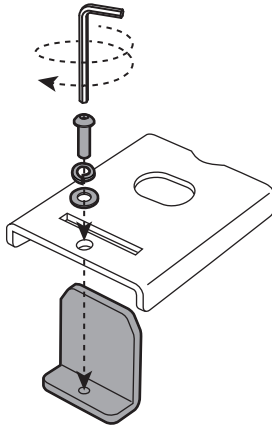
x1



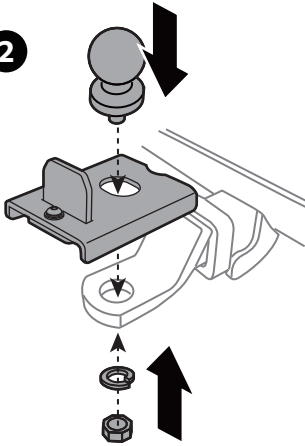
Ø6.5xØ13



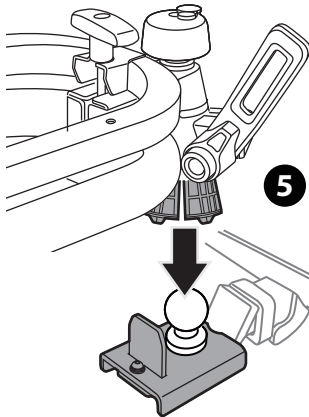
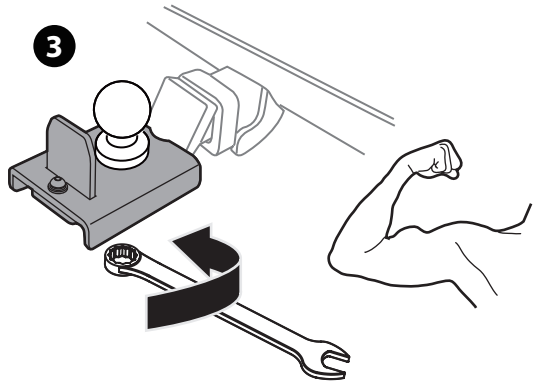
1



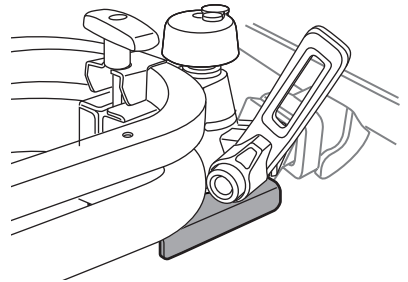
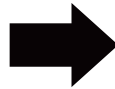
2

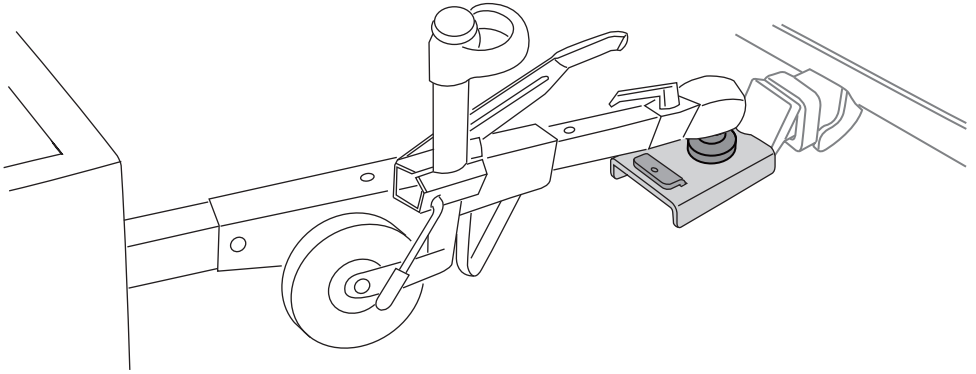
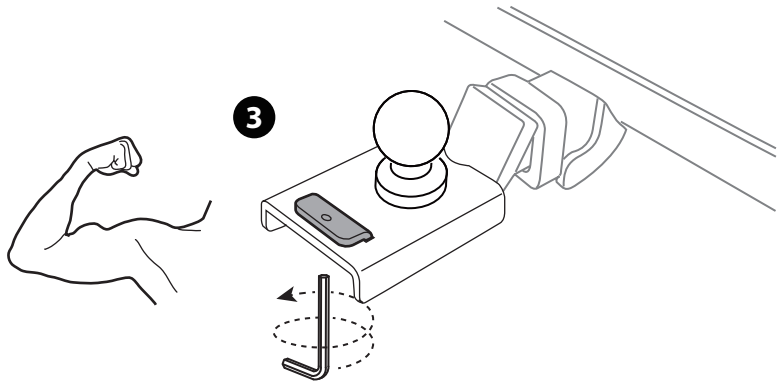
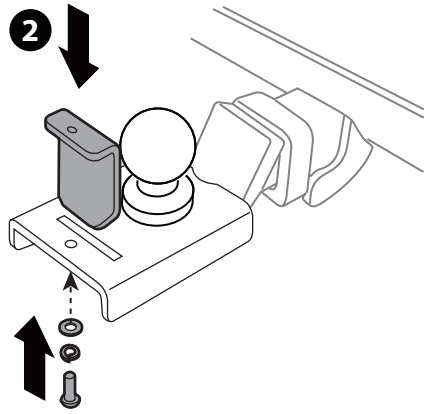
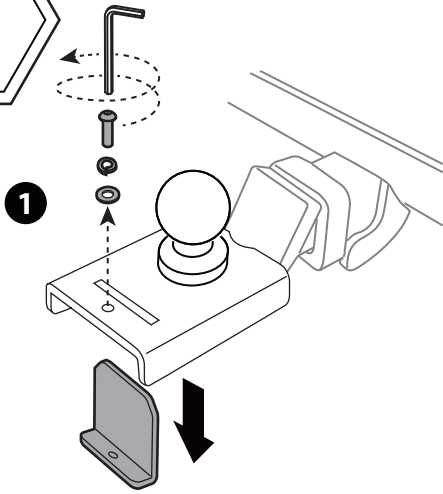


3



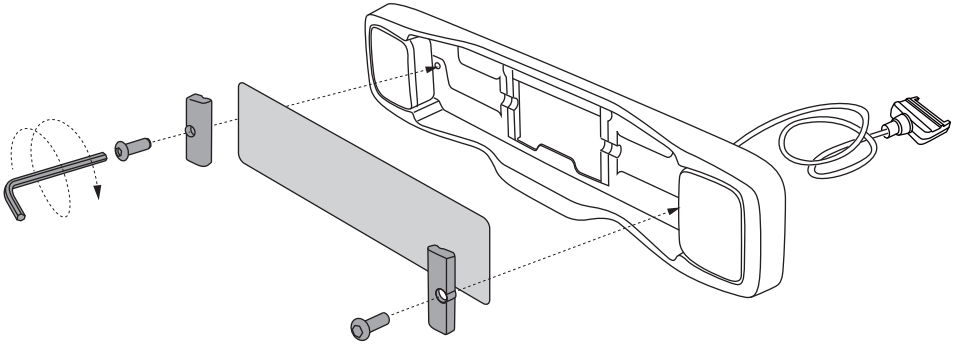
5



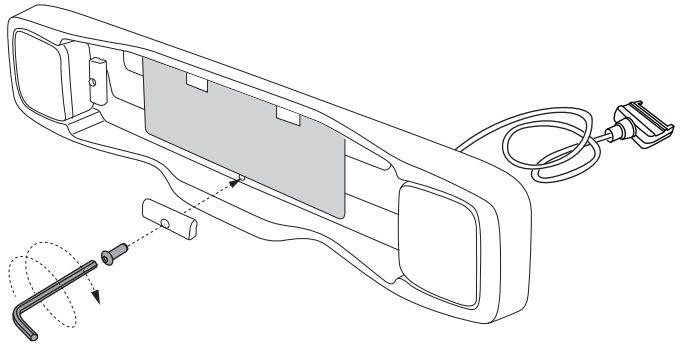


* This plate is not included.

XXX-XXX



XXXXXX



BUZZRACK

www.buzzrack.com

Contact us at service@buzzrack.com if you have any questions.

